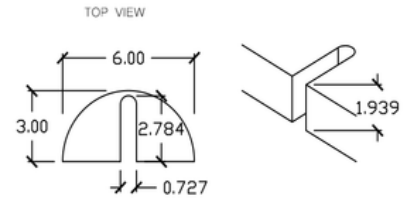
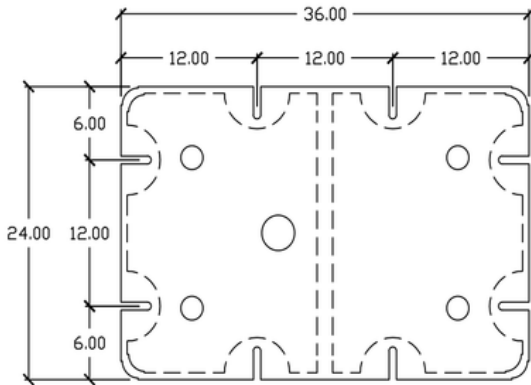
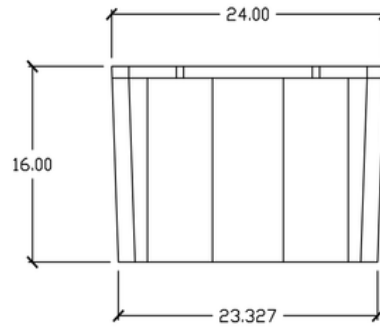
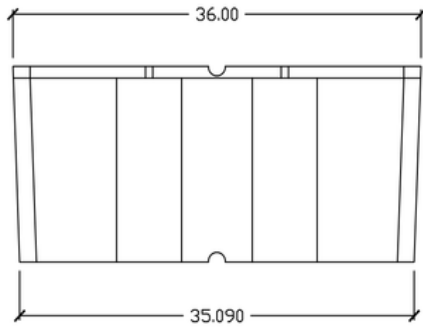
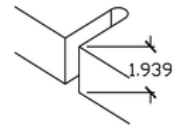


REVISED	DATE	BY
	03-16-15	JEB



MOUNTING SLOT DETAIL  
SCALE 2:1  
ALL DIMS NOMINAL



Common technical specs.	
Max buoyancy :	390 LB'S
Nominal wall thickness :	0.15"
Cubic feet:	8.0 FT³
Weight:	26.0 LB.'s

As with all types of materials, allowances must be made for shrinkage and changing of exact dimensions due to temperature and other conditions.

HENDREN PLASTICS INC.	
1607 HWY 72 SE Gravette AR 72736	
DRAWN BY JEB	APPROVED BY DATE: 06-05-2014
Materials: Polyethylene encasing Expanded Foam	Type:
Part Name: 2'x3'x16" Eagle Float	
AutoCad 2010	PART # : EF2316
	1 of 1

CONFIDENTIALITY NOTICE: This drawing is the sole property of Hendren Plastics Inc. It is intended only for the use of the individual or entity whose name appears on this drawing. Any unauthorized review, use, disclosure, or distribution is strictly prohibited.

NOT TO SCALE

## 24x36x16

24x36x16